

HR 1234W (9Ah)

Ventura

● Specifications

Nominal Voltage		12V
CAPACITY(15 minutes rate to 1.67V/cell)		34W
Rated capacity (20hour rate)		8Ah
Dimensions	Total Height	100mm (3.94 inches)
	Height	94mm (3.70 inches)
	Length	151mm (5.94 inches)
	Width	65mm (2.56 inches)
Weight Approx		2.70Kg (5.94 lbs)

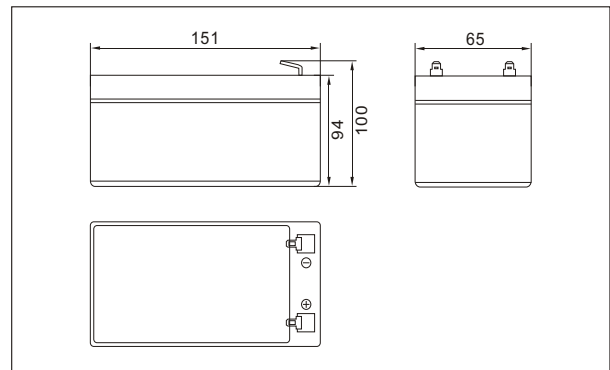
● Characteristics

Capacity 25°C(77°F)	30min rate 15min rate 6min rate	115W 204W 393W
Internal Resistance	Full charged Battery at 25°C(77°F)	22 mΩ
Capacity affected by Temperature (20hour rate)	40°C(104°F) 25°C(77°F) 0°C(32°F) -15°C(5°F)	102% 100% 85% 65%
Self-Discharge at 25°C(77°F)	Capacity after 3 month storage Capacity after 6 month storage Capacity after 12 month storage	91% 82% 64%
Terminal	T1, T2	
Charge (constant Voltage)	Cycle	Initial Charging Current less than 2.00A Voltage 14.10-14.40V
	Float	Voltage 13.50-13.80V

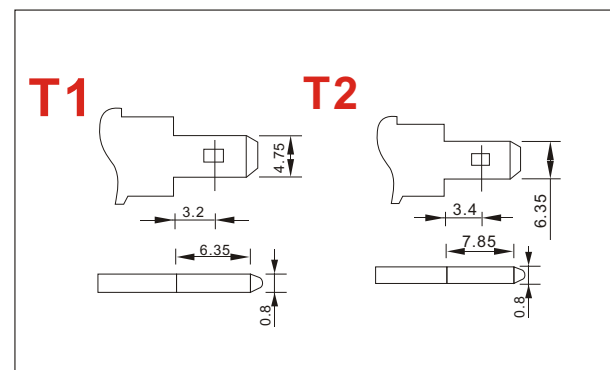
● Constant power discharge unit:watts(25°C, 77°F)

	2MIN	4MIN	6MIN	8MIN	10MIN	15MIN	30MIN	60MIN
1.6V	675.0	503.9	392.6	335.7	288.9	213.1	121.5	65.4
1.67V	629.0	471.1	366.5	317.9	273.2	204.0	115.7	62.9
1.7V	609.5	457.1	355.4	310.4	266.4	200.1	114.9	61.9
1.75V	577.7	432.9	343.6	298.7	253.3	193.1	113.1	61.6
1.8V	545.9	409.4	331.8	287.0	240.3	186.0	111.2	61.3
1.85V	514.0	385.6	320.1	275.3	227.2	178.6	109.4	61.0

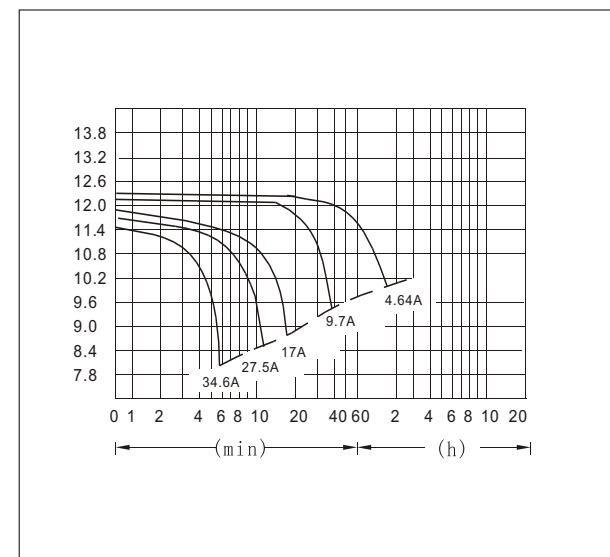
● Outer dimensions (mm)



● Terminal Type (mm)



● Discharge Curves 25°C(77°F)



● Constant current discharge unit:A(25°C, 77°F)

	5MIN	10MIN	15MIN	30MIN	60MIN	5H	10H	20H
1.6V	34.08	27.02	19.31	10.78	5.86	1.48	0.76	0.43
1.67V	32.45	25.28	19.12	10.30	5.60	1.46	0.75	0.42
1.7V	30.89	24.74	17.98	10.11	5.50	1.44	0.74	0.42
1.75V	29.34	23.42	17.27	9.92	5.49	1.38	0.74	0.40
1.8V	27.40	22.08	16.55	9.74	5.45	1.34	0.72	0.39
1.85V	26.26	21.52	15.84	9.52	5.42	1.28	0.70	0.38