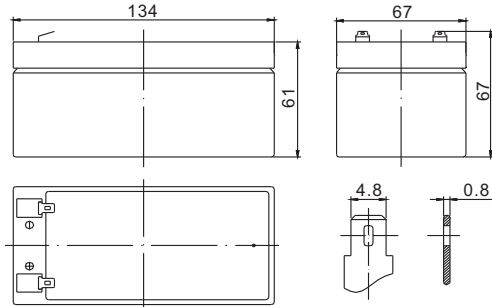


GP 12-3,3 12V3.4Ah



Dimension



T1
Terminal

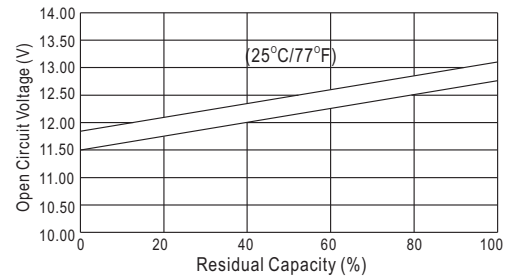
Specification

Nominal Voltage		12 V
Capacity(20HR, 25°C)		3.4Ah
Dimension	Length	134mm (5.28inch)
	Width	67mm (2.64inch)
	Height	61mm (2.40inch)
	Total Height	67mm (2.64inch)
Approx. Weight		1.36kg (3.00lbs)

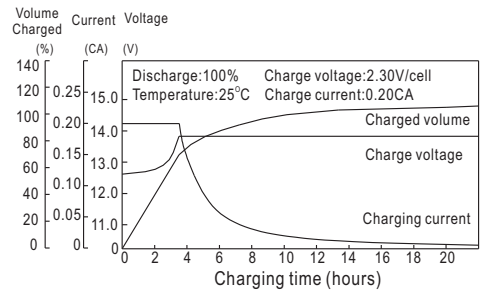
Characteristics

Capacity 20°C (68□) To 1.70V/Cell	20 hour rate	3.4Ah
	10 hour rate	3.1Ah
	5 hour rate	2.9Ah
	1 hour rate	2.12Ah
	15 min rate	1.55Ah
Internal resistance(Fully charged, 25°C)		Approx. 45m Ω
Capacity affected by temperature (20HR)	40°C	102%
	25°C	100%
	0°C	85%
	-15°C	65%
Self-discharge (25°C)	3 month	Remaining Capacity: 91%
	6 month	Remaining Capacity: 82%
	12 month	Remaining Capacity: 65%
Nominal operating temperature		25°C ±3°C(77°F ±5°F)
Operating temperature range		-15°C~50°C(5°F~122°F)
Float charging voltage(25°C)		13.60 to 13.80V
Cyclic charging voltage(25°C)		14.50 to 14.90V
Maximum charging current		10.2 A
Terminal material		Copper
Maximum discharge current		51A(5 Sec.)

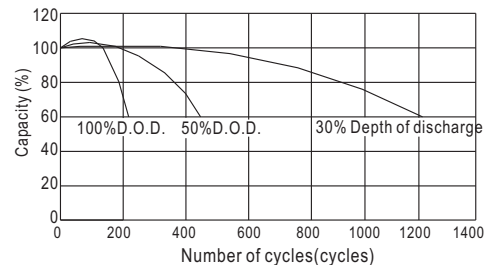
The Relationship for Open Circuit Voltage and Residual Capacity (25°C)



Charging Characteristics(25°C)



Cycle Life(25°C)



Constant Current Discharge Characteristics (A, 25°C)

F.V/TIME	5min	10min	15min	30min	60min	3h	5h	10h	20h
9.60V	12.9	8.16	6.46	3.74	2.21	0.86	0.59	0.32	0.17
10.2V	12.3	7.75	6.20	3.59	2.12	0.85	0.58	0.31	0.17
10.8V	11.5	7.29	5.89	3.41	2.02	0.83	0.57	0.31	0.17

Constant Power Discharge Characteristics (Watt, 25°C)

	5min	10min	15min	30min	60min	3h	5h	10h	20h
	144	92.0	73.6	42.9	25.6	10.2	7.00	3.81	2.07
	137	87.4	70.7	41.1	24.6	10.1	6.90	3.78	2.05
	129	82.2	67.2	39.1	23.3	9.90	6.76	3.78	2.04